

PHILIPS

Essential SmartBright

LED Downlight



Experience
hassle-free installation
With reliable and compact design that is cost efficient



Features and benefits

- 1 Easy installation and replacement**
 - Good range of wattages and color temperatures enhances flexibility and choice.
 - Three standard cut-out sizes (5", 6", 7") ensure easy retrofit.
- 2 Compact design for greater functionality and versatility**
 - Slim design with integrated driver. (exclusive to Philips)
 - Flat design fits tight spaces, enabling easy installation into low suspension ceilings or false ceilings.
 - Compact, all-in-one design makes installation a breeze.
 - Installation clip spring can be used with ceilings of various thickness and materials.
- 3 Leading brand with safety and quality assurance**
 - Meets international standards and certifications.
 - Reliability and quality that offers peace of mind.
 - LED technology ensures long lifespan with minimal maintenance, bringing you value for money, and cost savings in electricity bills in the long-run.



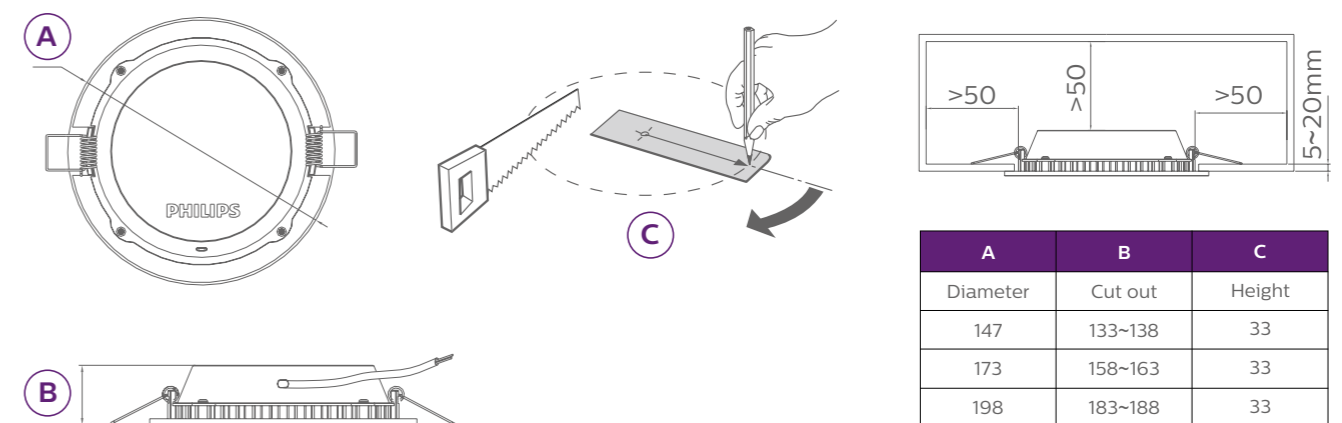
High performance downlight that meets your needs

With so many LED downlights available in the market, how do you choose the best option for your project or home? The Philips Essential SmartBright LED Downlight simplifies that decision. Boasting good quality and reliable performance, coupled with an affordable price tag, it offers you the best value in the market.

The slim and compact design makes the Essential SmartBright LED Downlight highly versatile. It can be installed easily even when space is a constraint, such as in low suspension or false ceilings. It comes with an integrated driver, so installation is effortless and time-saving.

Philips Essential SmartBright LED Downlight promises long-lasting LED performance, functionality and cost-savings. Designed with your needs in mind, it is your ideal choice for commercial and retail spaces, public areas corridors, offices and homes.

Dimensional drawing



All dimensions in mm

Product data

Housing	Aluminium die cast
Housing paint	White, RAL9003
Diffusor	PMMA
Cut-out	133~138mm, 158~163mm, 183~188mm
Height	33mm
Voltage/frequency	220-240V, 50/60Hz
Power factor	0.75~0.8
Wattage	11/15/20w
Connecting method	Flying wire with easy terminal offered
Color temperature	3000/4000/6500K
Lumen output	900/1200lm
Color rendering index	70+
Ta	25°C
Operation temperature	-20~40°C
Lifetime	15,000 Hrs (L70 B50)
Package	6 units in one carton

Popular Products

Product description	Cut-out size	Dimension	CCT	Lumen Output	Voltage	Frequency	Input current	Wattage	Power factor	Driver output current	Order code
	(mm)	(mm)	(K)	(lm)	(V)	(Hz)	(mA)	(W)	(λ)	(mA)	12NC
DN024B LED9/WW D125	133~138	ø147x33	3000	900	220-240	50/60	78	15	0.75	345	911401814999
DN024B LED9/NW D125	133~138	ø147x33	4000	900	220-240	50/60	78	15	0.75	345	911401815099
DN024B LED9/CW D125	133~138	ø147x33	6500	900	220-240	50/60	78	15	0.75	345	911401815199
DN024B LED12/WW D150	158~163	ø173x33	3000	1200	220-240	50/60	110	20	0.8	450	911401815599
DN024B LED12/NW D150	158~163	ø173x33	4000	1200	220-240	50/60	110	20	0.8	450	911401815699
DN024B LED12/CW D150	158~163	ø173x33	6500	1200	220-240	50/60	110	20	0.8	450	911401815799
DN024B LED9/WW D150	158~163	ø173x33	3000	900	220-240	50/60	78	15	0.75	345	911401815899
DN024B LED9/NW D150	158~163	ø173x33	4000	900	220-240	50/60	78	15	0.75	345	911401815999
DN024B LED9/CW D150	158~163	ø173x33	6500	900	220-240	50/60	78	15	0.75	345	911401816099
DN024B LED12/WW D175	183~188	ø198x33	3000	1200	220-240	50/60	110	20	0.8	450	911401816499
DN024B LED12/NW D175	183~188	ø198x33	4000	1200	220-240	50/60	110	20	0.8	450	911401816599
DN024B LED12/CW D175	183~188	ø198x33	6500	1200	220-240	50/60	110	20	0.8	450	911401816699
DN024B LED9/WW D175	183~188	ø198x33	3000	900	220-240	50/60	78	15	0.75	345	911401816799
DN024B LED9/NW D175	183~188	ø198x33	4000	900	220-240	50/60	78	15	0.75	345	911401816899
DN024B LED9/CW D175	183~188	ø198x33	6500	900	220-240	50/60	78	15	0.75	345	911401816999

